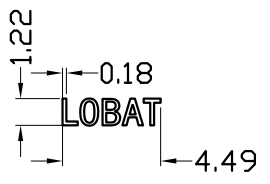


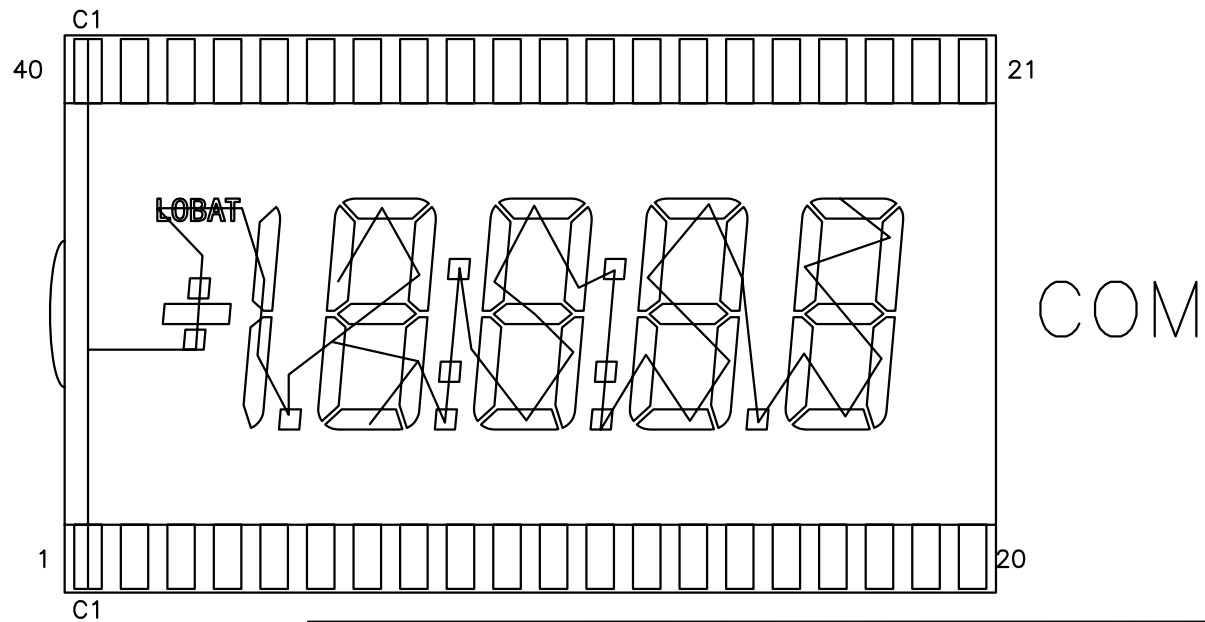
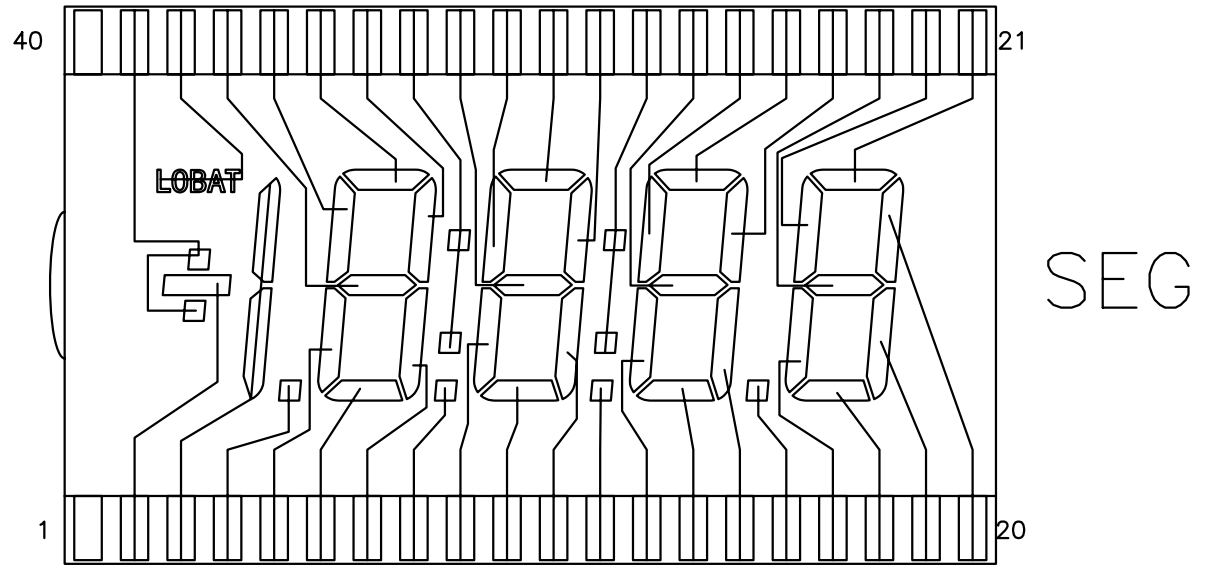
PIN	1	2	3	4	5	6	7	8	9	10	11	12	13	14	15	16	17	18	19	20
COM1	COM1	T2	T3	P1	1E	1D	1C	P2	2E	2D	2C	P3	3E	3D	3C	P4	4E	4D	4C	4B
PIN	21	22	23	24	25	26	27	28	29	30	31	32	33	34	35	36	37	38	39	40
COM1	4A	4F	4G	3B	3A	3F	3G	COL2	2B	2A	2F	2G	COL1	1B	1A	1F	1G	LOBAT	T1	COM1




NOTE:

- 1) DISPLAY TYPE: TN
- 2) VIEWING ANGLE: 6 0' CLOCK
- 3) POLARIZER MODE: REFLECTIVE/POSITIVE
- 4) DRIVE METHOD: STATIC
- 5) OPERATING VOLTAGE: 3.0V
- 6) OPERATING TEMP: 0° C TO 50° C
- 7) STORAGE TEMP: -10° C TO 60° C
- 8) CONNECTOR: PIN
- 9) 小片在上, 大片在下

CUSTOMER REF.	MODEL NO.				
		UNIT IN MM	DESCRIPTION	Drawing layout & characteristics	
DOCUMENT NO.	SHEET 2 OF 3	SCALE NTS	Drawn By	Checked By	Approved By
	VER. 1.0	PROJECTION	LI		
			03-NOV-07		



CUSTOMER REF.	MODEL NO.				
		UNIT IN MM	DESCRIPTION	Common & Segment tracking method	
DOCUMENT NO.	SHEET 3 OF 3	SCALE NTS	Drawn By	Checked By	Approved By
	VER. 1. 0	PROJECTION 	LI		
			03-NOV-07		