

LCD MODULE SPECIFICATION FOR APPROVAL	DATE	07/26/04
	VER.	1.0
JHD19264A	PAGE	1

CONTENTS

1.	FEATURES	4
2.	MECHANICAL SPEC	4
3.	ABSOLUTE MAXIMUM RATING	5
4.	ELECTRICAL CHARACTERISTICS	5
5.	ELECTRO-OPTICAL CHARACTERISTICS	6
6.	QC/QA PROCEDURE	7
7.	RELIABILITY	8
8.	BLOCK DIAGRAM	9
9.	VOLTAGE REGULATOR CIRCUITS	9
10.	TIMIING DIAGRAM	10
11.	AC CHARACTERISTICS.....	11
12.	INSTRUCTION SET	12
13.	HANDLING PRECAUTION.....	13
14.	EXTERNAL DIMENSION	16
15.	ICON.....	16
16.	INTERFACE.....	17

LCD MODULE SPECIFICATION FOR APPROVAL	DATE	07/26/04
	VER.	1.0
JHD19264A	PAGE	2

1. FEATURES

- Display construction..... 192*64 DOTS
- Display mode..... STN
- Display type..... Positive Trasflective
- Backlight..... LED/5.0V
- Viewing direction..... 6 o' clock
- Operating temperature..... Indoor
- Driving voltage..... Single power
- Driving method..... 1/64 duty, 1/9 bias
- Type..... COB (Chip On Board)
- Number of data line..... 8-bit parallel
- Connector..... Pin

2. MECHANICAL DATA

ITEM		WIDTH	HEIGHT	THICKNESS	UNIT
Module size		100.0	60.0	13.0 (MAX)	mm
Viewing area		84.0	31.0	-	mm
Dot	Size	0.36	0.36	-	mm
	Pitch	0.41	0.41	-	mm
Diameter of mounting hole		3.0			mm
Weight		About 50			g

LCD MODULE SPECIFICATION FOR APPROVAL	DATE	07/26/04
	VER.	1.0
JHD19264A	PAGE	3

3. ABSOLUTE MAXIMUM RATINGS

Characteristic	Symbol	Value	Unit	Note
Operating voltage	V_{DD}	-0.3 to +7.0	V	(1)
Supply voltage	V_{EE}	$V_{DD}-19.0$ to $V_{DD}+0.3$	V	(4)
Driver supply voltage	V_B	-0.3 to $V_{DD}+0.3$	V	(1), (3)
	V_{LCD}	$V_{EE}-0.3$ to $V_{DD}+0.3$	V	(2)
Operating temperature	T_{OPR}	-30 to +85	°C	
Storage temperature	T_{STG}	-55 to +125	°C	

4. ELECTRICAL CHARACTERISTICS

($V_{DD} = +5V \pm 10\%$, $V_{SS} = 0V$, $V_{DD}-V_{EE} = 8$ to $17V$, $T_a = -30$ to $+85^\circ C$)

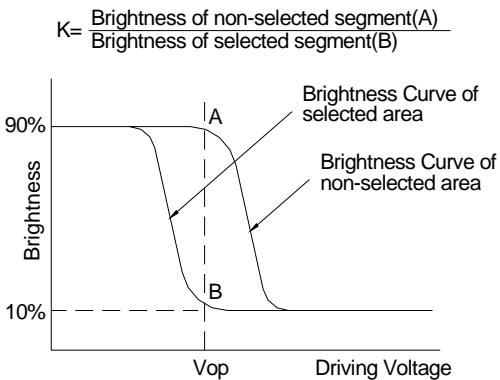
Characteristic	Symbol	Condition	Min	Typ	Max	Unit	Note
Input high voltage	V_{IH1}	–	$0.7V_{DD}$	–	V_{DD}	V	(1)
	V_{IH2}	–	2.0	–	V_{DD}	V	(2)
Input low voltage	V_{IL1}	–	0	–	$0.3V_{DD}$	V	(1)
	V_{IL2}	–	0	–	0.8	V	(2)
Output high voltage	V_{OH}	$I_{OH} = -200\mu A$	2.4	–	–	V	(3)
Output low voltage	V_{OL}	$I_{OL} = 1.6mA$	–	–	0.4	V	(3)
Input leakage current	I_{LKG}	$V_{IN} = V_{SS} - V_{DD}$	-1.0	–	1.0	μA	(4)
Three-state(off) input current	I_{TSL}	$V_{IN} = V_{SS} - V_{DD}$	-5.0	–	5.0	μA	(5)
Driver input leakage current	I_{DIL}	$V_{IN} = V_{EE} - V_{DD}$	-2.0	–	2.0	μA	(6)
Operating current	I_{DD1}	During display	–	–	100	μA	(7)
	I_{DD2}	During access Access cycle = 1MHz	–	–	500	μA	(7)
On resistance	R_{ON}	$V_{DD}-V_{EE} = 15V$ $I_{LOAD} = \pm 0.1mA$	–	–	7.5	$K\Omega$	(8)

LCD MODULE SPECIFICATION FOR APPROVAL	DATE	07/26/04
	VER.	1.0
JHD19264A	PAGE	4

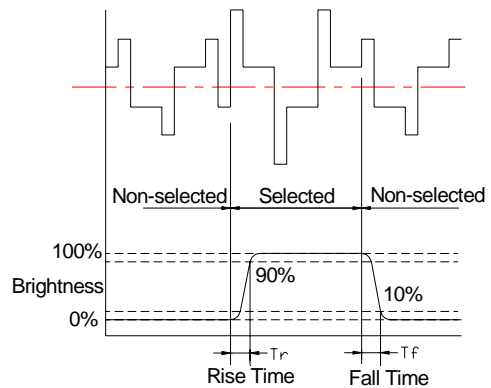
5. ELECTRO-OPTICAL CHARACTERISTICS

ITEM	SYMBOL	CONDITION	MIN.	TYP.	MAX.	UNIT	NOTE
Contrast ratio	K	$\phi = 0$	1.4	4	-	-	1
Response time (rise)	T_r	$\phi = 0$	-	250	300	ms	2
Response time (fall)	T_f	$\phi = 0$		250	350	ms	2
Viewing angle	ϕ	$K \geq 2.0$	-40 -- +40			deg.	3
	θ		-30 -- +30				

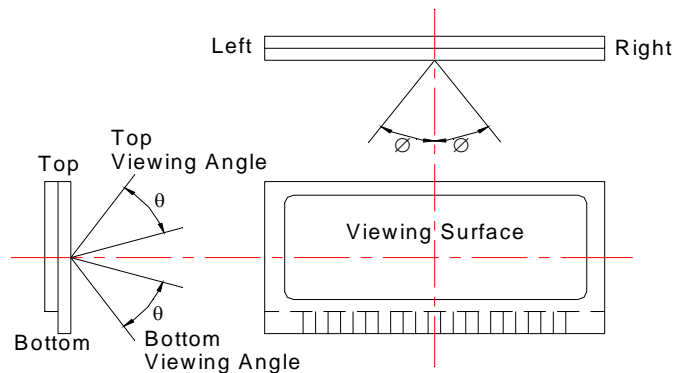
Note 1: Definition of Contrast Ratio "K"



Note 2: Definition of Optical Response Time



Note 3: Definition of Viewing Angle

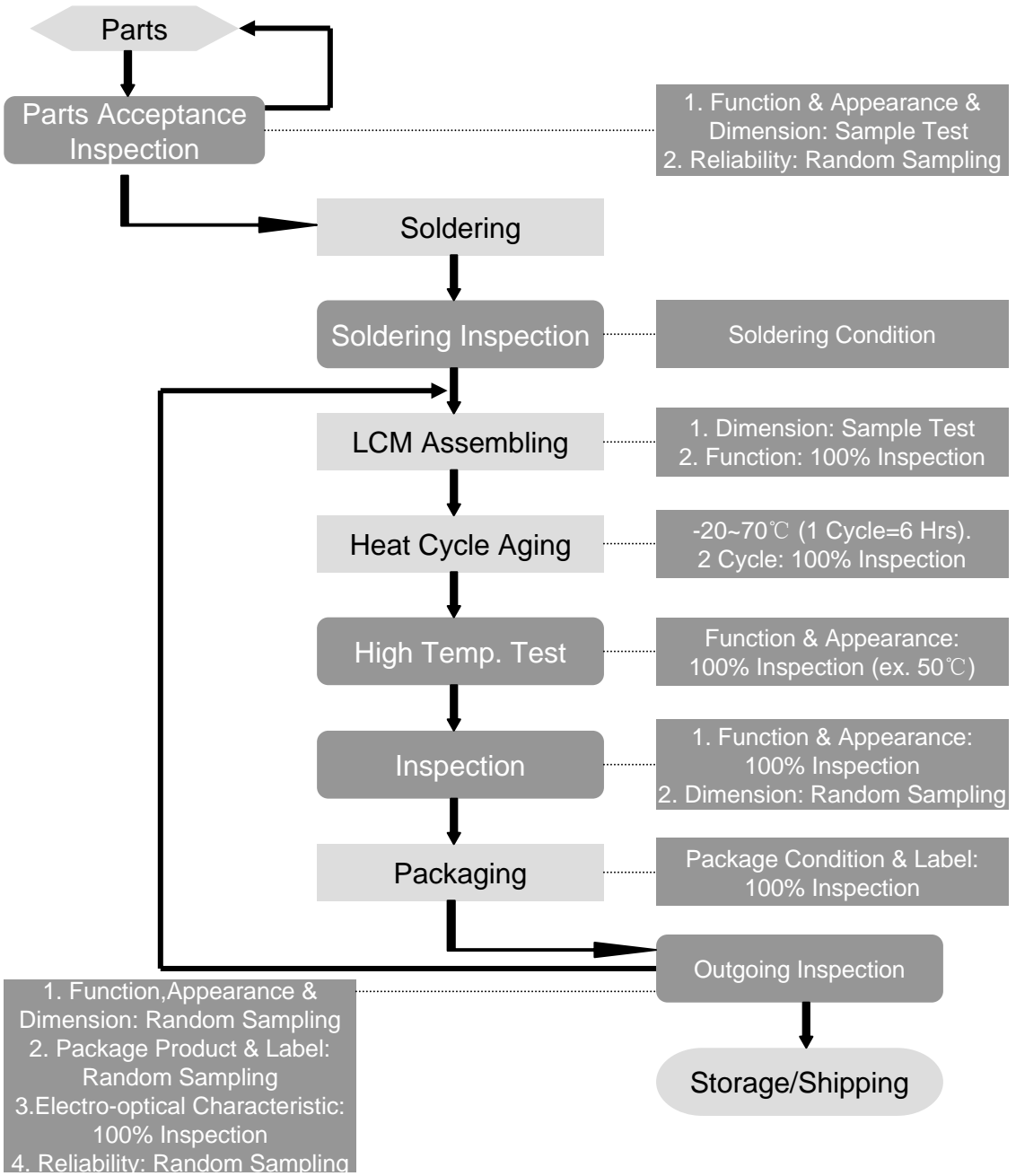


Please select either top or bottom viewing angle

LCD MODULE SPECIFICATION FOR APPROVAL	DATE	07/26/04
	VER.	1.0
JHD19264A	PAGE	5

6. QC/QA PROCEDURE

Parts QA Dept. LCD Mfg. Dept. LCM QA Dept.



LCD MODULE SPECIFICATION FOR APPROVAL	DATE	07/26/04
	VER.	1.0
JHD19264A	PAGE	6

7. RELIABILITY

•Operating life time:

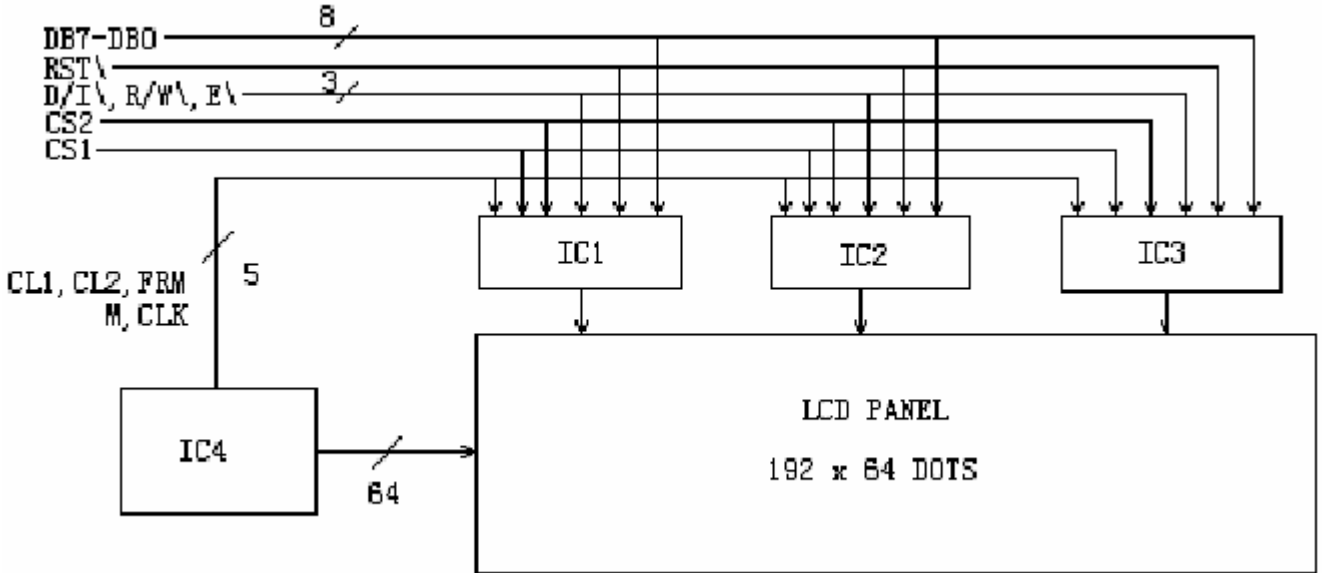
Longer than 50000 hours (at room temperature without direct irradiation of sunlight)

•Reliability Characteristics:

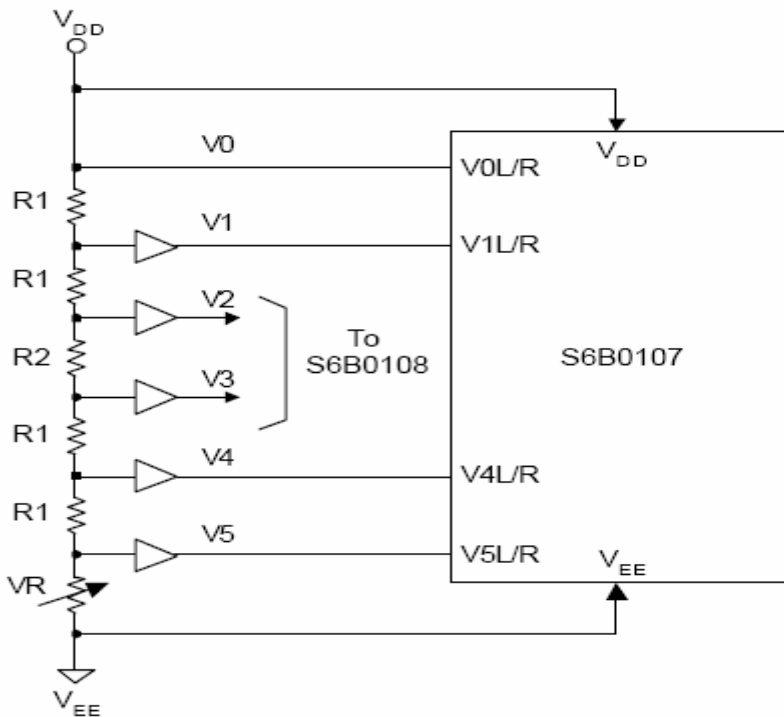
Item	Test	Criterion
High temp	70°C / 200 Hrs	■Total current consumption should be below double of initial value ■Contrast ratio should be within initial value±50% ■No defect in cosmetic and operational function is allowable
Low temp.	-20°C / 200 Hrs	
High humidity	40°C * 90%RH / 200 Hrs	
Thermal shock	-20°C→25°C→70°C→25°C /5 Cycles (30min) (5min) (30min) (5min)	
Vibration	1. Operating time: Thirty minutes exposure in each direction (x, y, z) 2. Sweep Frequency (1min):10Hz→ 55Hz→10Hz 3. Amplitude: 0.75mm double amplitude	

LCD MODULE SPECIFICATION FOR APPROVAL	DATE	07/26/04
	VER.	1.0
JHD19264A	PAGE	7

8. BLOCK DIAGRAM

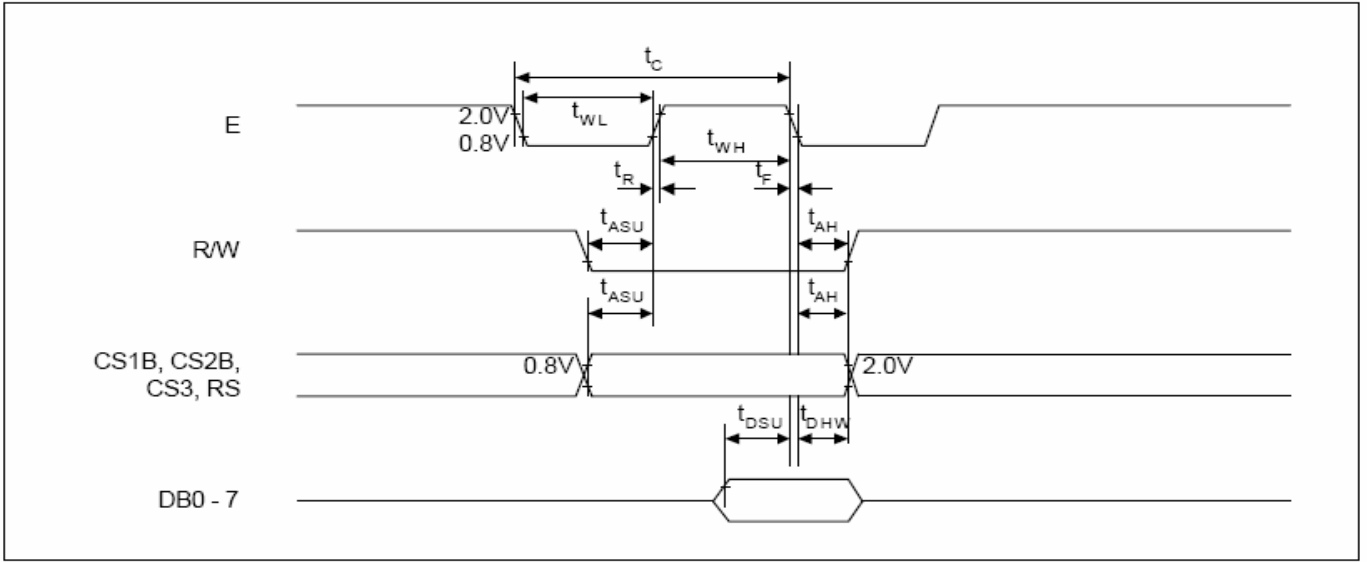


9. VOLTAGE REGULATOR CIRCUITS

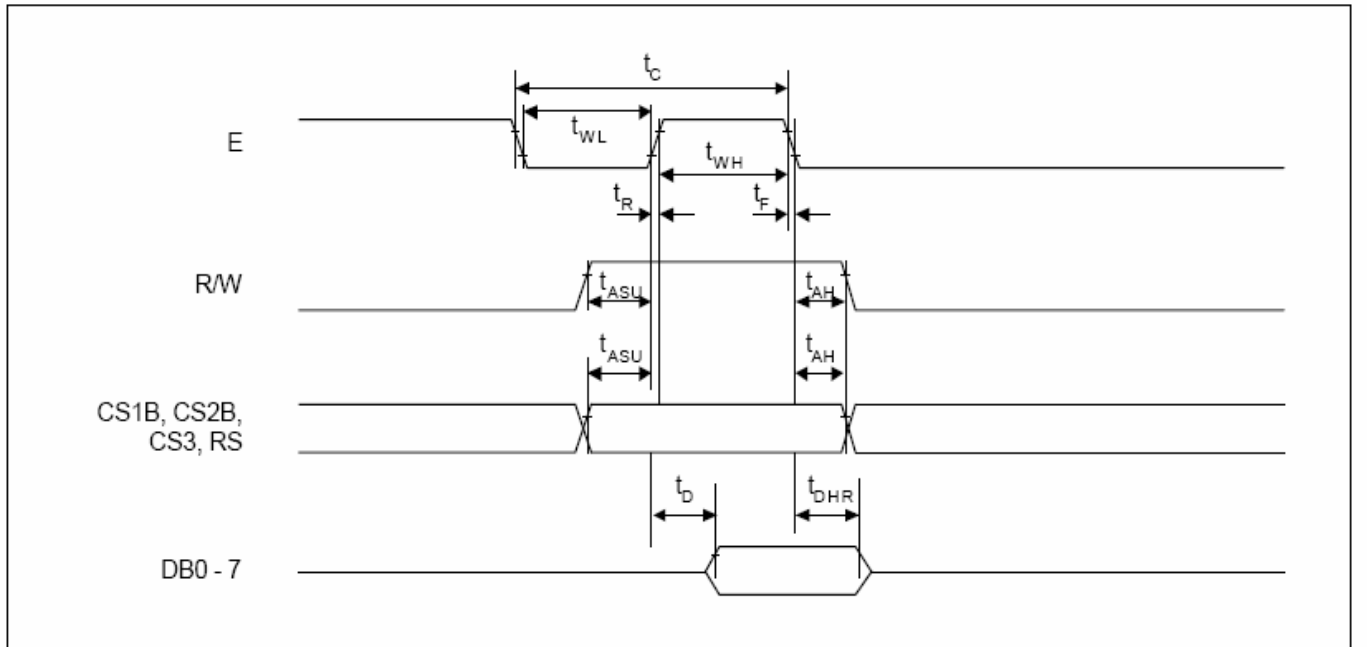


LCD MODULE SPECIFICATION FOR APPROVAL	DATE	07/26/04
	VER.	1.0
JHD19264A		PAGE
		8

10. TIMING DIAGRAM



MPU Write Timing



MPU Read Timing

LCD MODULE SPECIFICATION FOR APPROVAL	DATE	07/26/04
	VER.	1.0
JHD19264A	PAGE	9

11. AC CHARACTERISTICS

MPU Interface

Characteristic	Symbol	Min	Typ	Max	Unit
E cycle	t_C	1000	–	–	ns
E high level width	t_{WH}	450	–	–	ns
E low level width	t_{WL}	450	–	–	ns
E rise time	t_R	–	–	25	ns
E fall time	t_F	–	–	25	ns
Address set-up time	t_{ASU}	140	–	–	ns
Address hold time	t_{AH}	10	–	–	ns
Data set-up time	t_{DSU}	200	–	–	ns
Data delay time	t_D	–	–	320	ns
Data hold time (write)	t_{DHW}	10	–	–	ns
Data hold time (read)	t_{DHR}	20	–	–	ns

LCD MODULE SPECIFICATION FOR APPROVAL	DATE	07/26/04
	VER.	1.0
JHD19264A	PAGE	10

12. INSTRUCTION SET

Instruction	RS	R/W	DB7	DB6	DB5	DB4	DB3	DB2	DB1	DB0	Function	
Display on/off	L	L	L	L	H	H	H	H	H	L/H	Controls the display on or off. Internal status and display RAM data is not affected. L: OFF, H: ON	
Set address (Y address)	L	L	L	H	Y address (0 - 63)						Sets the Y address in the Y address counter.	
Set page (X address)	L	L	H	L	H	H	H	Page (0 - 7)			Sets the X address at the X address register.	
Display start line (Z address)	L	L	H	H	Display start line (0 - 63)						Indicates the display data RAM displayed at the top of the screen.	
Status read	L	H	Busy	L	On/Off	Reset	L	L	L	L	Read status. BUSY L: Ready H: In operation ON/OFF L: Display ON H: Display OFF RESET L: Normal H: Reset	
Write display data	H	L	Write data									Writes data (DB0:7) into display data RAM. After writing instruction, Y address is increased by 1 automatically.
Read display data	H	H	Read data									Reads data (DB0:7) from display data RAM to the data bus.

LCD MODULE SPECIFICATION FOR APPROVAL	DATE	07/26/04
	VER.	1.0
JHD19264A	PAGE	11

13. Handling Precautions

1. Limitation of Application:

Optrex products are designed for use in ordinary electronic devices such as business machines, telecommunications equipment, measurement devices and etc. Please handle the products with care. (see below)

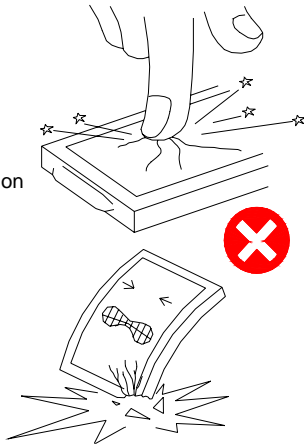
Optrex products are not designed, intended, or authorized for use in any application which the failure of the product could result in a situation where personal injury or death may occur. these applications include, but are not limited to. life-sustaining equipment, nuclear control devices, aerospace equipment, devices related to hazardous or flammable materials, etc. [If Buyer intends to purchase or use the Optrex Products for such unintended or unauthorized applications, Buyer must secure prior written consent to such use by a responsible officer of Optrex Corporation.] Should Buyer purchase or use Optrex Products for any such unintended or unauthorized application [without such consent]. Buyer shall indemnify and hold Optrex and its officers, employees, subsidiaries, affiliates and distributors harmless against all claims, costs, damages and expenses, and reasonable attorney's fees, arising out of, directly or indirectly, any claim of personal injury or death associated with such unintended or unauthorized use, even if such claim alleges that Optrex was negligent regarding the design or manufacture of the part.

2. Industrial Rights and Patents

Optrex shall not be responsible for any infringement of industrial property rights of third parties in any country arising out of the application or use of Optrex products, except which directly concern the structure or production of such products.

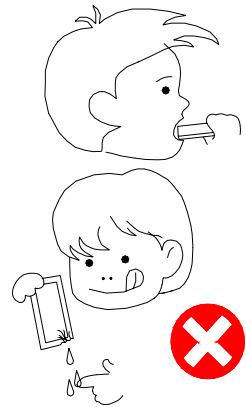
No Press and Shock!

If pressure to LCD, orientation may be disturbed.
LCD will broken by shock!



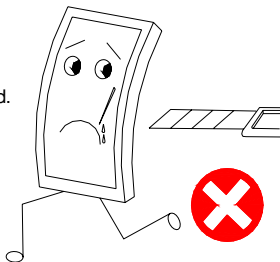
Don't Swallow or Touch Liquid Crystal!

Liquid Crystal may be leaked when display is broked.
If it accidentally gets your hands, wash then with water!



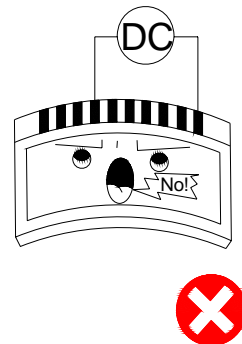
Don't not Scratch!

Polarizer is a soft material and can easily be scratched.



No DC Voltage to LCD!

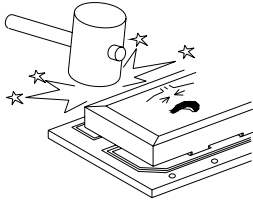
DC vorage or drivinge higher than the specified voltage will reduce the lifetime of the LCD.



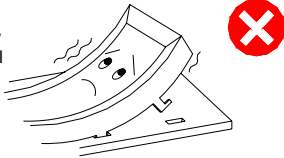
LCD MODULE SPECIFICATION FOR APPROVAL	DATE	07/26/04
	VER.	1.0
JHD19264A	PAGE	12

Don't Press the Metallic Frame and Disassemble the LCM

Pressure on the metallic frame and PCB may deform the conductive rubber or break the liquid crystal cell and back light, which will cause defects.

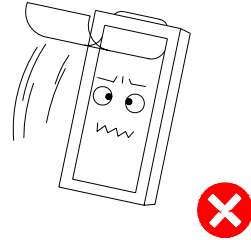


LCD may be shifted or conductive rubber may be reshaped, which will cause defects.



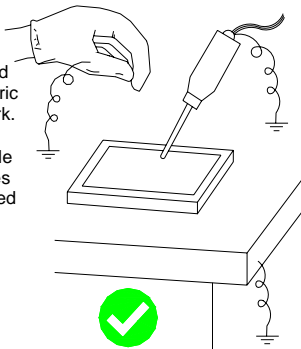
Slowly Peel Off Protective Film!

Avoid static electricity.



Avoid Static Electricity!

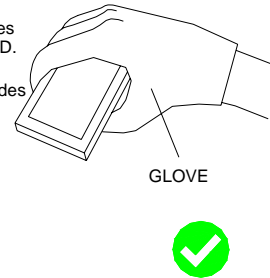
Please be sure to ground human body and electric appliances during work. It is preferable to use conductive mat on table and wear cotton clothes or conduction processed fiber. Synthetic fiber is not recommended.



Wear Gloves While Handling!

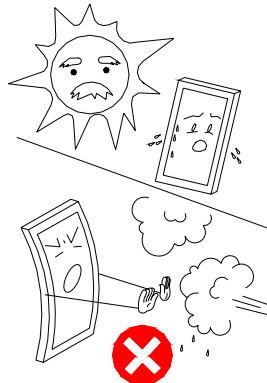
It is preferable to wear gloves to avoid damaging the LCD.

Please do not touch electrodes with bare hands or make them dirty.



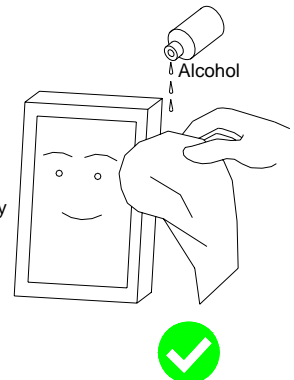
Keep Away From Extreme Heat and Humidity!

LCD deteriorates.



Use Alcohol to Clean Terminals!

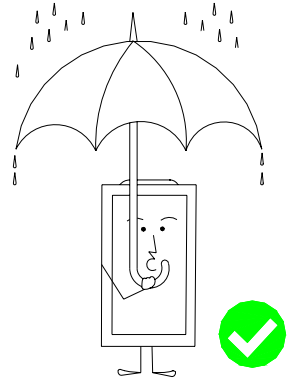
When attaching with the heat seal or anisotropically conductive film, wipe off with alcohol before use.



LCD MODULE SPECIFICATION FOR APPROVAL	DATE	07/26/04
	VER.	1.0
JHD19264A	PAGE	13

Don't Drop Water on LCD!

Note that the presence of waterdrops or dew in the LCD panel may deteriorate the polarizer or corrode electrode.



Precaution in Soldering LCD Module

Basic instructions: Solder I/O terminals only.

Use soldering iron without leakage.

(1) Soldering condition to I/O terminals

Temperature at tip of the iron: $280 \pm 10^{\circ}\text{C}$

Soldering time: 3~4 sec.

Type of solder: Eutectic solder (containing colophony-flux)

*Please do not use flux because it may soak into LCD Module or contaminate it.

*It is preferable to peel off protective film on display surface after soldering I/O terminals is finished.

(2) Remove connector or cable

*When you remove connector or cable soldered to I/O terminals, please confirm that solder is fully melted. If you remove by force, electrodes at I/O terminals may be damaged (or stripped off).

*It is recommended to use solder suction machine.

Long-term Storage

If it is necessary to store LCD modules for a long time, please comply with the following procedures.

If storage condition is not satisfactory, display (especially polarizer) may be deteriorated or soldering I/O terminals may become difficult (some oxide is generated at I/O terminals plating).

1. Store as delivered by Optrex

2. If you store as unpacked, put in anti-static bag, seal its opening and store where it is not subjected to direct sunshine nor fluorescent lamp.

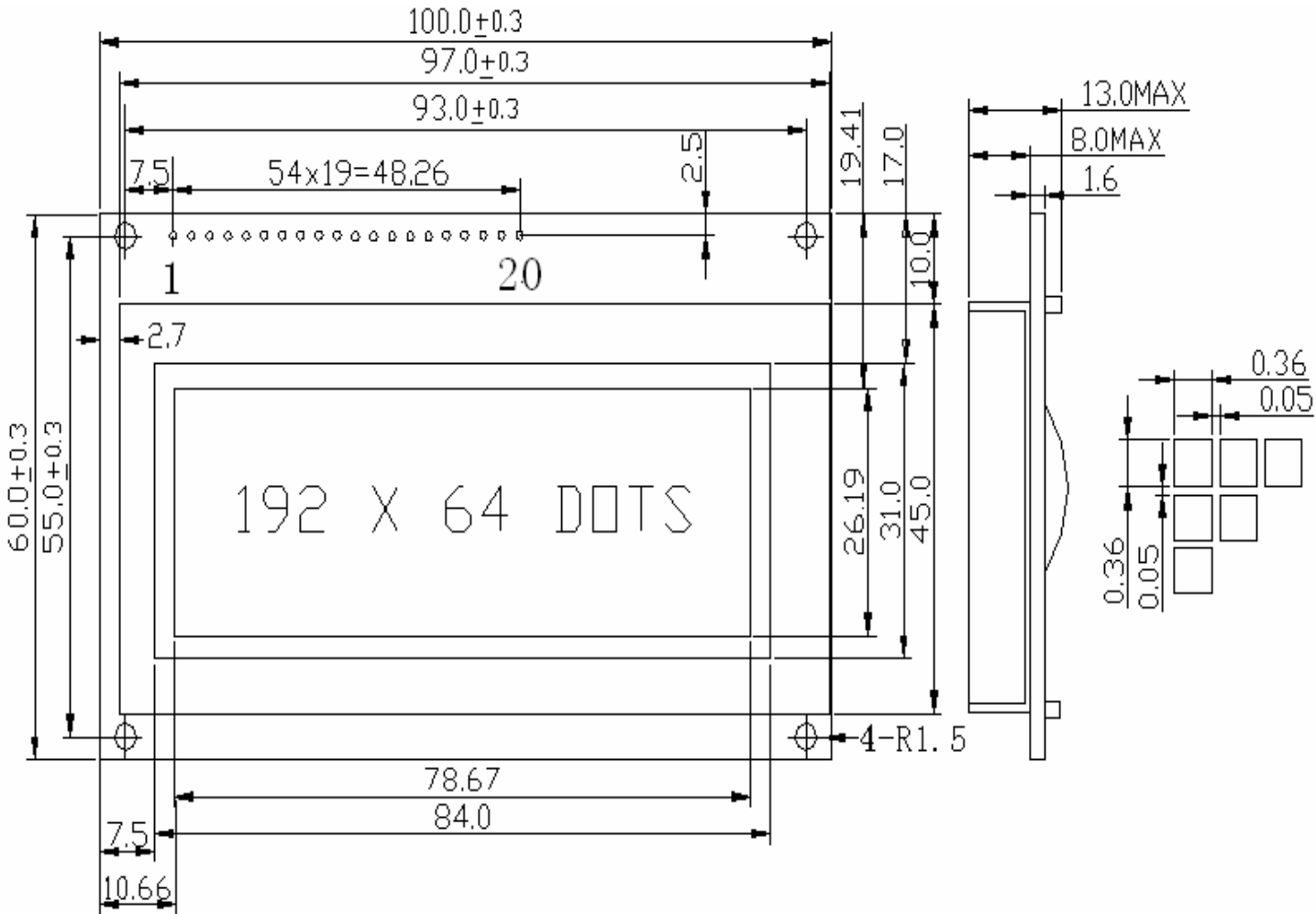
3. Store at temperature 0 to $+35^{\circ}\text{C}$ and at low humidity. Please refer to our specification sheets for storage temperature range and humidity condition.

Long-term Storage

Please use power supply with built-in surge protection circuit.

LCD MODULE SPECIFICATION FOR APPROVAL	DATE	07/26/04
	VER.	1.0
JHD19264A	PAGE	14

14. EXTERNAL DIMENSION



LCD MODULE SPECIFICATION FOR APPROVAL	DATE	07/26/04
	VER.	1.0
JHD19264A	PAGE	15

15.INTERFACE

PIN	SYMBOL	LEVEL	INSTRUCTION
1	DB7	H/L	DATA 7
2	DB6	H/L	DATA 6
3	DB5	H/L	DATA 5
4	DB4	H/L	DATA 4
5	DB3	H/L	DATA 3
6	DB2	H/L	DATA 2
7	DB1	H/L	DATA 1
8	DB0	H/L	DATA 0
9	E	H,H→L	IC select signal
10	R/W	H/L	H:READ; L:WRITE
11	RS	H/L	H:DATA; L:COMMAND
12	V ₀	LCD Drive Voltage	Adjust Contrast
13	V _{DD}	5.0V	Power Supply Voltage
14	V _{SS}	0V	Ground contact (GND)
15	CSB	H/L	Chip Select signal, 00、01、10will Select on chip, when 11 terminals
16	CSA	H/L	
17	V _{EE}	-10.0V	LCD driving negative voltage
18	RST	L	Reset signal, low effective
19	LED+		Back LED Anode
20	LED-		Back LED Negative